

HYDRONIC PANEL VERTICAL RADIATORS

MANUFACTURED BY:



DeLonghi Vertical radiators come in various heights and widths, with their space saving streamlined finish they offer solutions where space is a problem. Vertical radiators can also offer height options where the proportions of a room might better suit taller narrow radiators.



30 YEAR*
WARRANTY

FINISHES

High gloss white.

COLOUR

Standard white - RAL 9016.

MEASUREMENTS

Available in 1400, 1600, 1800, 2000, 2200 and 2400mm high.

CENTRE CONNECTION (OPTIONAL)



TOP GRILLE



P: 08 8396 5617 | E: sales@sunraycomfort.com.au
Showroom location: 352 Morphett Road, Warradale
Opening hours: Monday to Friday, 7am to 5pm

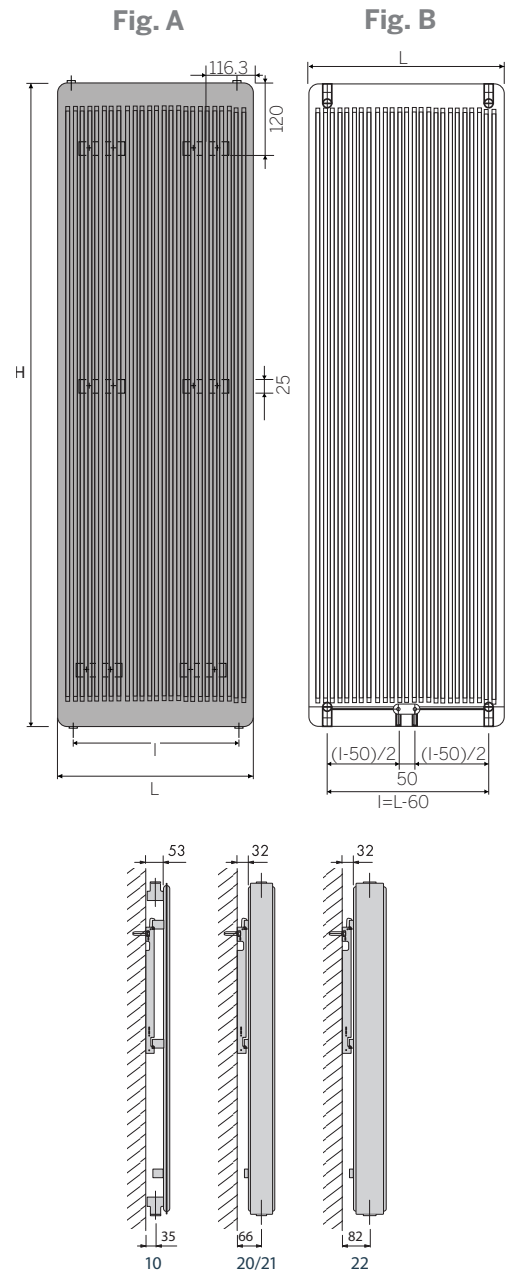
Tables based on ΔT 60°C - mean water temperature in radiator of 80°C and room temperature of 20°C.
Radiator outputs to EN442 Standard.

Type 10 Single (no side panels, grilles or convection fins)							
L-mm	H-mm	1400	1600	1800	2000	2200	2400
300	kW	0.542	0.605	0.623	0.751	0.835	0.895
400	kW	0.723	0.806	0.897	1.001	1.113	1.193
500	kW	0.904	1.008	1.121	1.251	1.392	1.492
600	kW	1.085	1.209	1.346	1.501	1.670	1.790
700	kW	1.265	1.411	1.570	1.752	1.949	2.088
900	kW	1.627	1.814	2.019	2.252	2.505	2.685

Type 20 Compact side panels, grilles (no convection fins)							
L-mm	H-mm	1400	1600	1800	2000	2200	2400
300	kW	0.824	0.927	1.028	1.128	1.227	1.331
400	kW	1.099	1.236	1.371	1.504	1.636	1.774
500	kW	1.373	1.545	1.714	1.880	2.045	2.218
600	kW	1.648	1.854	2.056	2.256	2.454	2.662
700	kW	1.923	2.163	2.399	2.632	2.863	3.105
900	kW	2.472	2.782	3.084	3.385	3.681	3.992

Type 21 Compact side panels, grilles & convection fins							
L-mm	H-mm	1400	1600	1800	2000	2200	2400
300	kW	1.016	1.122	1.229	1.326	1.422	1.509
400	kW	1.354	1.497	1.638	1.769	1.896	2.011
500	kW	1.693	1.871	2.048	2.211	2.370	2.514
600	kW	2.031	2.245	2.457	2.653	2.845	3.017
700	kW	2.370	2.619	2.867	3.095	3.319	3.520
900	kW	3.047	3.367	3.686	3.979	4.267	4.526

Type 22 Double side panels, grilles & convection fins							
L-mm	H-mm	1400	1600	1800	2000	2200	2400
300	kW	1.262	1.373	1.492	1.629	1.777	1.937
400	kW	1.683	1.831	1.989	2.172	2.370	2.583
500	kW	2.105	2.288	2.487	2.715	2.962	3.229
600	kW	2.525	2.746	2.984	3.258	3.554	3.875
700	kW	2.945	3.204	3.481	3.801	4.147	4.521
900	kW	3.787	4.119	4.476	4.887	5.332	5.812



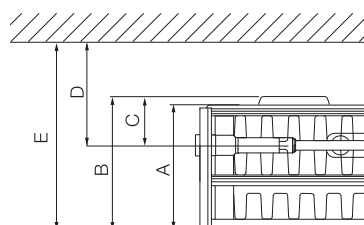
CONNECTION OPTIONS:

Bottom valve connections to either side of the radiator refer to above diagram A. The connection centres are 30mm in from each outside edge of the radiator. Take the radiator width "L" then deduct 60mm to get pipe centres "I" measurement. Centre connection option refer to above diagram B. Take the radiator width "L" deduct 50mm then divide by 2 to get pipe centre measurements from edge of radiator.

Instructions for placement of noggins for De Longhi linear vertical radiators.

Suggested size for noggins; 90mm x 40mm framing timber installed vertically to either side of the radiator and set in 116mm from side of radiator. This will ensure you have suitable fixing for brackets.

NOTE: All measurements shown on diagrams in millimeters (not to scale).



		10	20	21	22
panel depth excluding back supports	A	62	70	70	102
total depth - from the back of the support to the front panel	B	62	77	77	111
distance from the back support to the connection	C	-	43	43	60
distance from wall to the centre of the connection	D	35	58/66	58/66	74/82
total distance from the wall to the front panel	E	70	93/101	93/101	125/133